

Safety for the staff and for the patient in the preparation of anti-tumor drugs

Securmix[®]

Closed system for the reconstitution of anti-tumour drugs.

Staff working on the preparation of anti-tumour drugs are exposed every day to the risks inherent in their handling.

Despite the adoption of protective clothing and the use of vertical laminar flow cubicles, a group of workers exposed to cyclophosphamide was found to have a urinary secretion of this drug of up to 38 microgrammes per litre, even though the quantities absorbed were between ten and a hundred thousand times less than those used in therapy.

(Ensslin et al. 1994)

The International Agency for Research on Cancer (IARC), a body working under the aegis of the World Health Organisation, classifies many anti-tumour drugs as cancerogenous, or probably cancerogenous, for humans.



Nowadays more and more hospitals prefer the reconstitution of cytotoxic drugs directly on IV sets for drug preparation: in this case you can use **Securmix[®] Lock**.



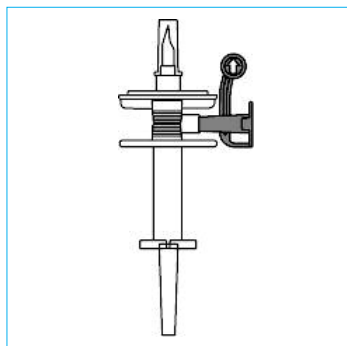
Securmix[®] is the first device that creates a **real** closed system for the reconstitution of anti-tumor drugs without detaching the syringe.

Securmix®

Securmix® is available in four versions:

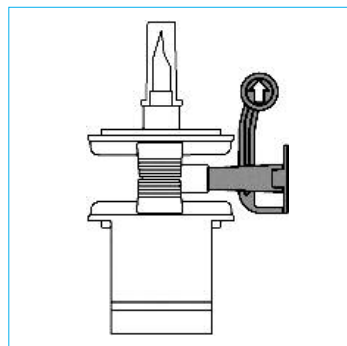
Securmix® Bags

for connection to plastic bags, with luer lock syringe attachment and safety catch at the injection point



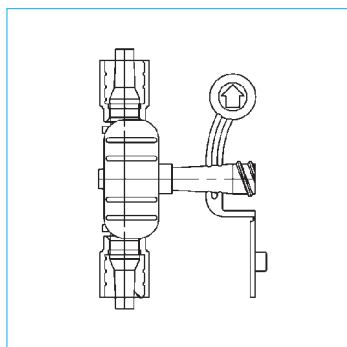
Securmix® Bottles

for connection to glass bottles, with luer lock syringe attachment and safety catch for the bottle



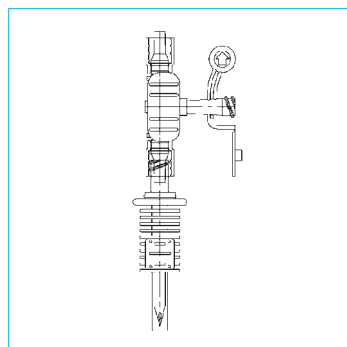
Securmix® Lock

3 way connection device



Securmix® Lock Spike

3 way connection device fitted with spike

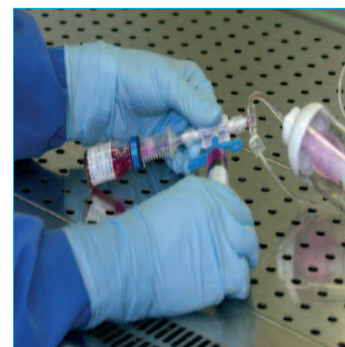
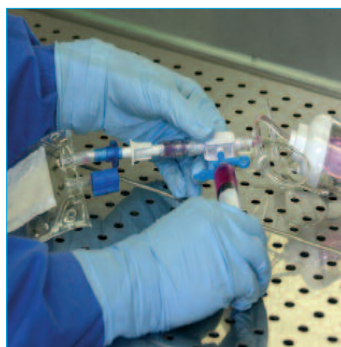
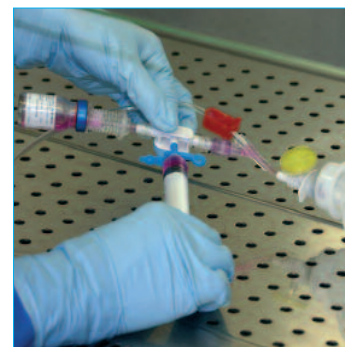
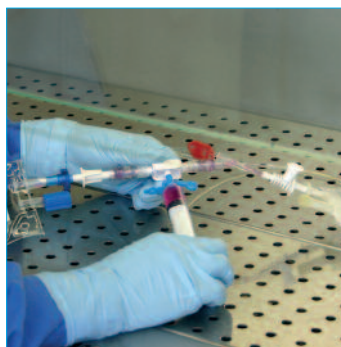


Materials

ABS body, polypropylene cock.

Packages specifications

Code	Description	Packages
400	Securmix® Bags	50 sterile individually-packed items
200	Securmix® Bottle for connection to bottles with 33 mm cap	50 sterile individually-packed items
100	Securmix® Bottle for connection to bottles with 30 mm cap	50 sterile individually-packed items
201	Securmix® Lock	150 sterile individually-packed items
202	Securmix® Lock Spike	150 sterile individually-packed items



Bibliography

"Cyclophamide environmental contamination in drug reconstitution units in twenty one Italian hospitals"
C. Soave et al. - EJHP 6/2003

Securmix® is a registered trademark of Eurospital S.p.A.

In case you would like to find out more about Securmix and how it works: contact your local sales agent or go to: www.eurospital.com - Hospital Division - Prevention of chemical hazard. Here you will find detailed product info, instruction posters, references to literature.

Eurospital S.p.A.
I-34147 Trieste Via Flavia, 122
Tel. 040 89971 Fax 040 280944
e-mail: info@eurospital.com
www.eurospital.com